



DATASHEET

*Solid State Drive*

---

# K765-256GB

Rev:1.0

2022-04-19

**Note:**

Company will not give any notice for change of products specifications. This product manual is only for reference. Please contact with Kston Memory Technologies Co., Ltd. for more detail technical parameters and information.

Kston Memory Technologies Co.,Ltd  
Add:4/F,Office Bld, YaLiTong Industrial,162 Luyuan Rd,TangXia,DongGuan,China

## Table of content

<b>1.Product information.....</b>	<b>3</b>
<b>1.1Summary.....</b>	<b>3</b>
<b>1.2 Product model list.....</b>	<b>3</b>
<b>1.3 Specifications.....</b>	<b>3</b>
<b>1.4 Features.....</b>	<b>4</b>
<b>2.Block diagram.....</b>	<b>4</b>
<b>3.Measurements.....</b>	<b>5</b>
<b>4.Interface description/Pin description.....</b>	<b>5</b>
<b>5.Performance.....</b>	<b>7</b>
<b>5.1 Read/Write performance test.....</b>	<b>7</b>
<b>5.2 Data throughput test.....</b>	<b>7</b>



# DATASHEET

*Solid State Drive*

**5.3 Access time.....8**

**6.Power consumption.....8**

## 1. Product introduction

### 1.1 Summary

K765-256GB is a high performance and high reliability storage device which consists nonvolatile NAND Flash memories and semiconductor components, PCIe Gen3 standard, supports the NVME1.3 protocol. To solve the performance bottleneck in computer system using mechanical hard disk brought by no mechanical parts, make the work reduce the failure rate in vibration and shock and other special circumstances, is a high reliability the storage device.

### 1.2 Product model list

Model	Controller	Flash	Capacity	Sequential Read	Sequential Write	PCB Color
K765-256GB	Realtek RTS5765DL	Samsung KLUEG8UHDB (SSV5)	256GB	2200-2700MB/S	1200-1700MB/S	Blue

### 1.3 Specifications

1.3.1 Interface protocol: NVME 1.3;

1.3.2 Input voltage: DC 3.3V (±5%);

1.3.3 Operating temperature: 0°C ~ +70°C;

Kston Memory Technologies Co.,Ltd  
Add:4/F,Office Bld, YaLiTong Industrial,162 Luyuan Rd,TangXia,DongGuan,China

1.3.4 Storage temperature: -20°C ~ +75°C;

1.3.5 physical dimension: m.2(80mm length \*22.0mm wide \* 3.5mm height  
error±0.5mm);

1.3.6 Write endurance: Write 100GB /Day, theoretically can use 8 years;

1.3.7 Read life: unlimited;

1.3.8 MTBF: 1,000,000 hours;

1.3.9 Support Capacity: 256GB;

### 1.4 Features

1.4.1 PCIe GEN 3 (8Gb/s) x 4 Lane interface.

1.4.2 Support wear leveling.

1.4.3 Support Garbage collection.

1.4.4 Support Over-provisioning.

1.4.5 Support power management and intelligent management technology.

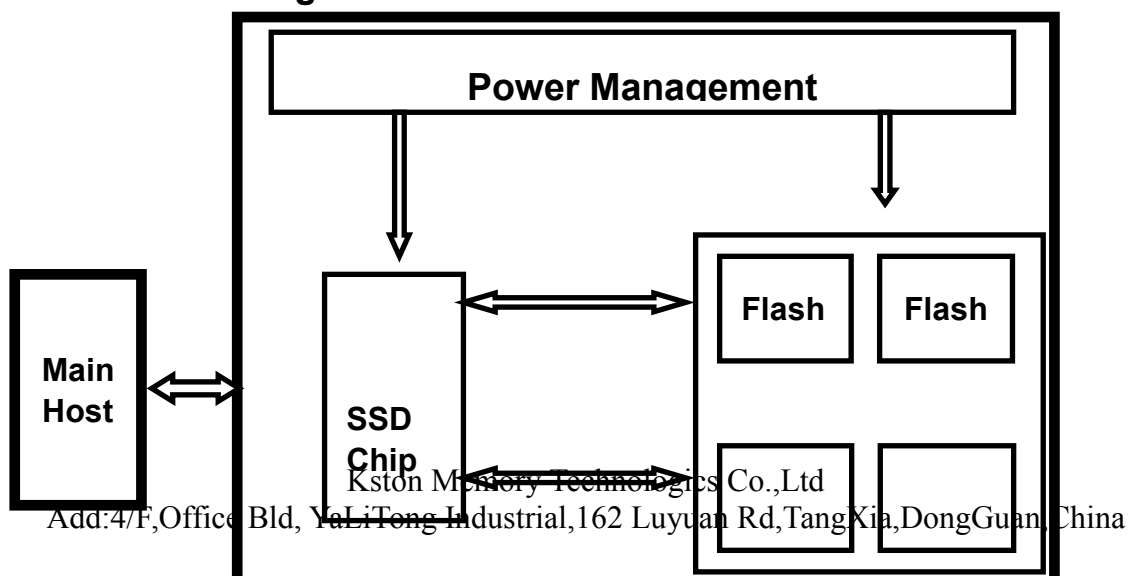
1.4.6 Support Native Command Queuing (NCQ) ;

1.4.7 Support TRIM (Disable Delete Notify) command;

1.4.8 Support Error Checking And Correcting(ECC).

1.4.9 Support HMB mode

### 2. Block diagram



3.

### 4. Measurements

L80.0mm \* W22.0mm \* H3.5mm, Error±0.5m (e.g. Figure 1)

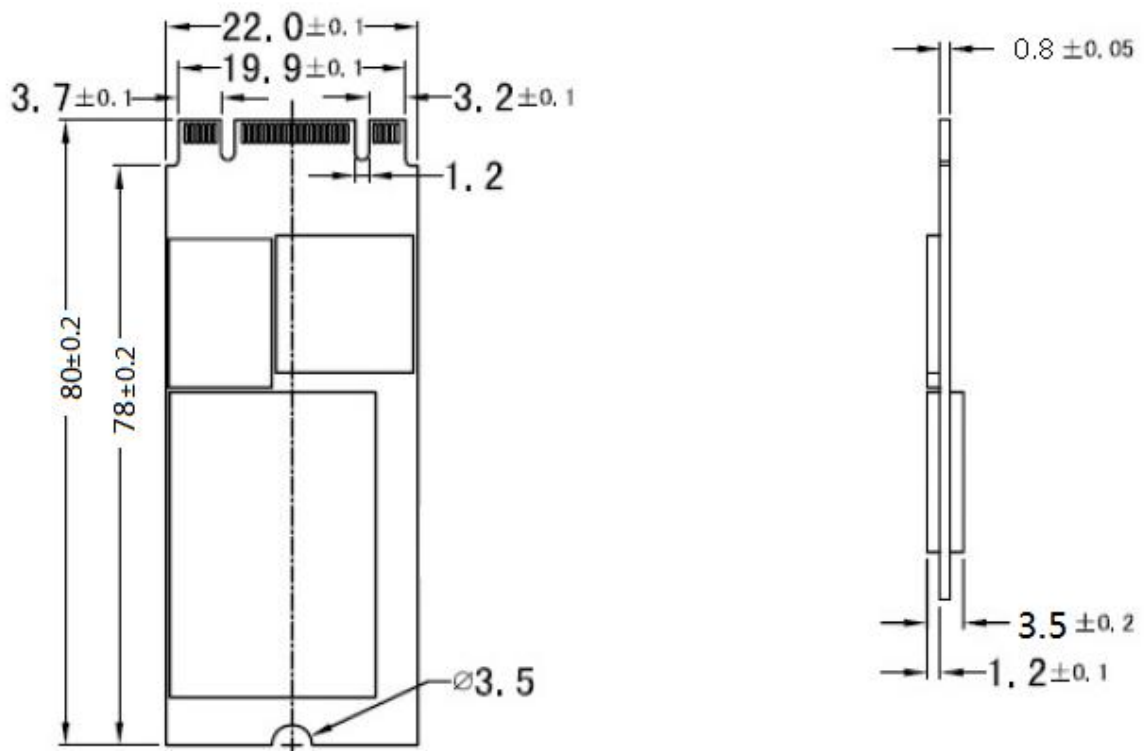


Figure 1

### 5. Interface description/Pin description



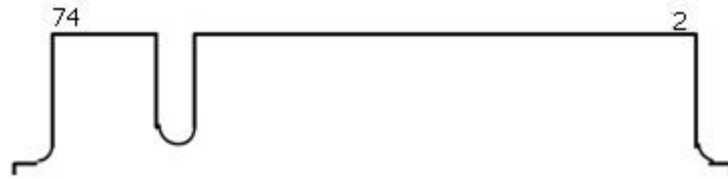


Figure 2

(e.g. Figure 2)

PIN	PIN Definition	PIN	PIN Definition
1	GND	2	DC 3.3V
3	GND	4	DC 3.3V
5	PETn3	6	/
7	PETp3	8	/
9	GND	10	DAS
11	PERn3	12	DC 3.3V
13	PERp3	14	DC 3.3V
15	GND	16	DC 3.3V
17	PETn2	18	DC 3.3V
19	PETp2	20	/
21	GND	22	/
23	PERn2	24	/
25	PERp2	26	/
27	GND	28	/
29	PETn1	30	/
31	PETp1	32	/
33	GND	34	/
35	PERn1	36	/
37	PERp1	38	/
39	GND	40	/
41	PETn0	42	/
43	PETp0	44	/
45	GND	46	/
47	PERn0	48	/
49	PERp0	50	PERSTn
51	GND	52	CLKREQn
53	REFCLKn	54	/



# DATASHEET

*Solid State Drive*

55	REFCKLp	56	UART
57	GND	58	UART
Key M			
67	/	68	/
69	/	70	DC 3.3V
71	GND	72	DC 3.3V
73	GND	74	DC 3.3V
75	GND	76	

## 5. Performance

### 5.1 Read & Write Speed Test

Model: K765-256GB

Motherboard: GIGABYTE GA-Z270X-Gaming K5

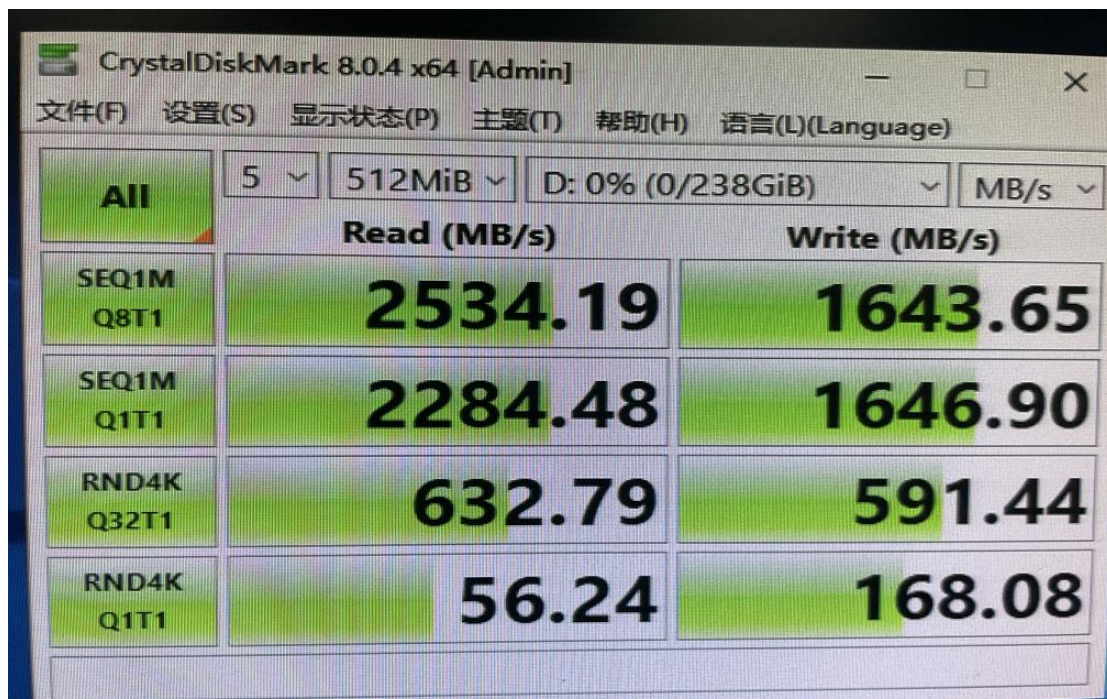
CPU: Intel® Core(TM) i3-6100 3.70GHz

Memory: Kingston 4GB

OS: WIN10 Professional

BIOS Set: AHCI model

Test Software: CrystalDiskMark8.0.4



Kston Memory Technologies Co.,Ltd

Add:4/F,Office Bld, YaLiTong Industrial,162 Luyuan Rd,TangXia,DongGuan,China

CrystalDiskMark 8.0.4 x64 [Admin]  
文件(F) 设置(S) 显示状态(P) 主题(T) 帮助(H) 语言(L)(Language)

5 1GiB D: 0% (0/238GiB) MB/s

	Read (MB/s)	Write (MB/s)
SEQ1M Q8T1	2534.05	1646.92
SEQ1M Q1T1	2288.38	1647.88
RND4K Q32T1	627.73	573.92
RND4K Q1T1	56.18	168.15

CrystalDiskMark 8.0.4 x64 [Admin]  
文件(F) 设置(S) 显示状态(P) 主题(T) 帮助(H) 语言(L)(Language)

5 4GiB D: 0% (0/238GiB) MB/s

	Read (MB/s)	Write (MB/s)
SEQ1M Q8T1	2529.55	1646.53
SEQ1M Q1T1	2236.01	1647.78
RND4K Q32T1	606.23	603.23
RND4K Q1T1	51.74	165.12

	Read (MB/s)	Write (MB/s)
SEQ1M Q8T1	2533.18	1645.90
SEQ1M Q1T1	2304.82	1643.41
RND4K Q32T1	619.62	369.06
RND4K Q1T1	52.07	151.81

### 5.2 Data Throughput Test

Model: K765-256GB

Motherboard: GIGABYTE GA-Z270X-Gaming K5

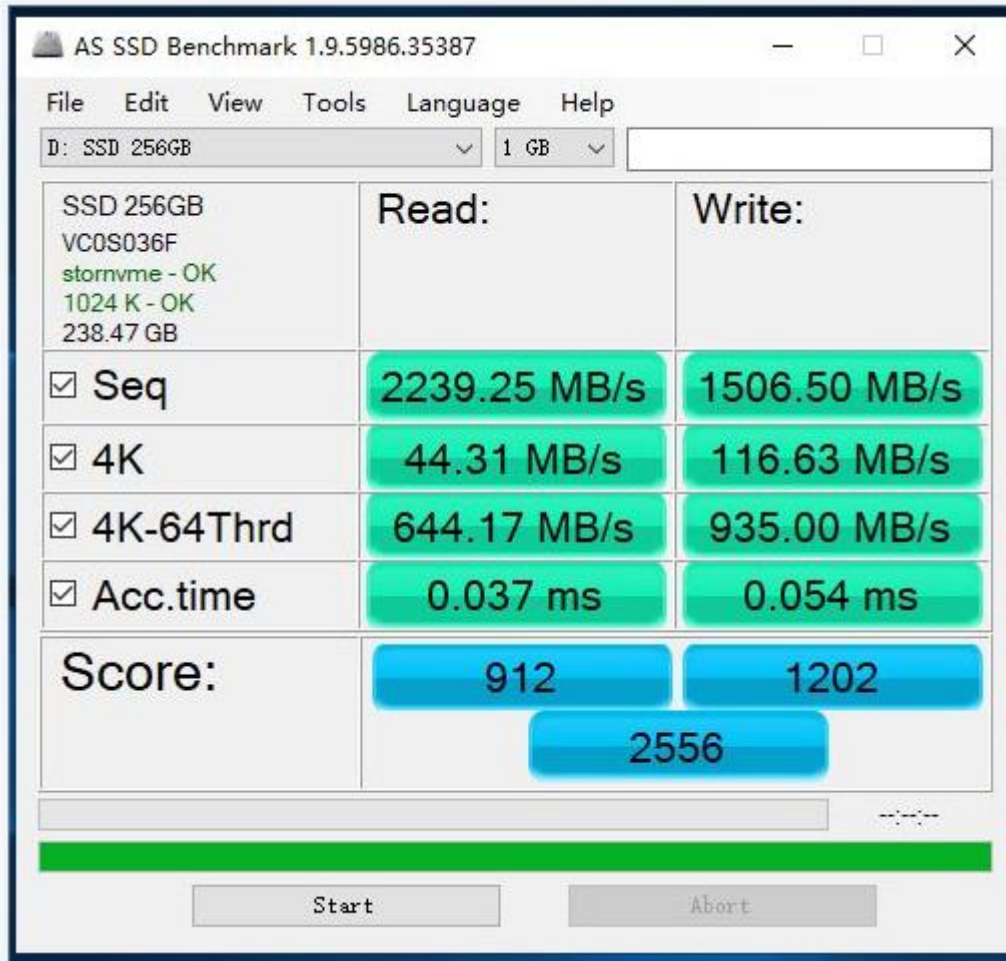
CPU: Intel® Core(TM) i3-6100 3.70GHz

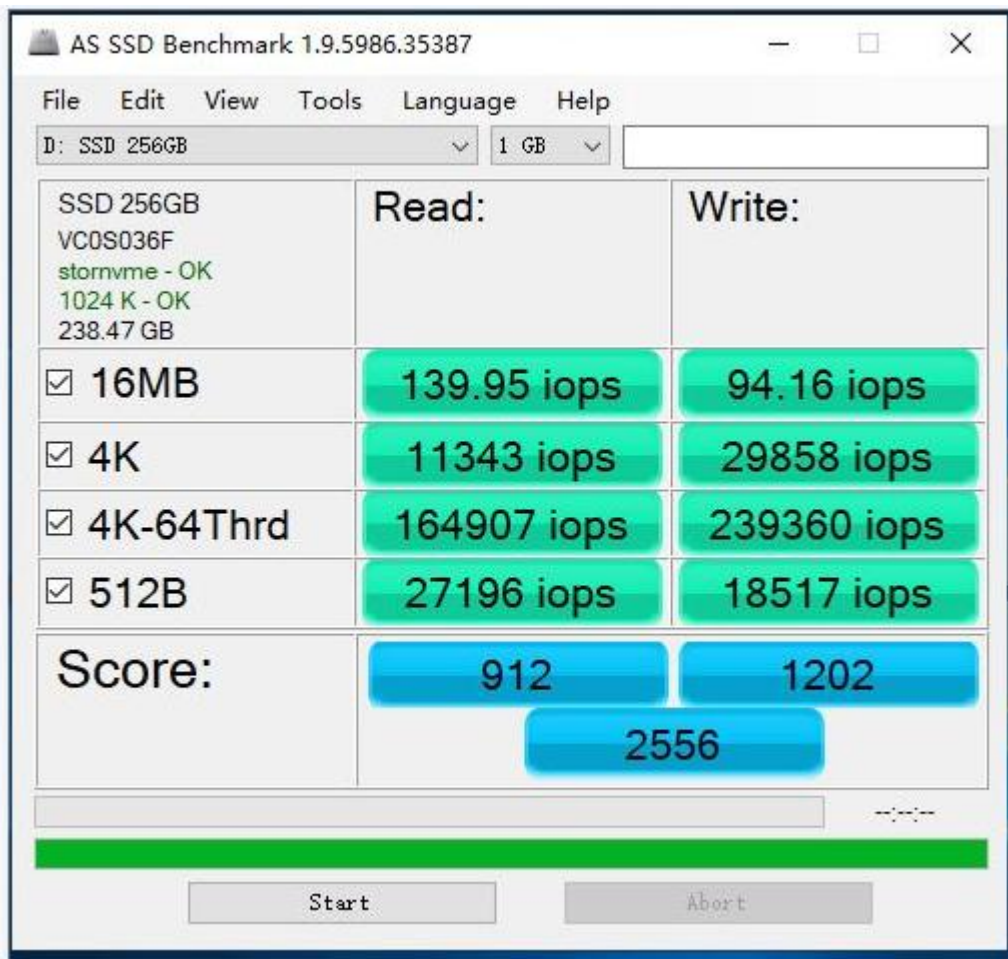
Memory: Kingston 4GB

OS: WIN10 Professional

BIOS Set: AHCI model

Test Software: AS SSD Benchmark





### 5.3 Access time

Model: K765-256GB

Motherboard: GIGABYTE GA-Z270X-Gaming K5

CPU: Intel® Core(TM) i3-6100 3.70GHz

Memory: Kingston 4GB

OS: WIN10 Professional

BIOS Set: AHCI model

Test Software: HD Tune Pro 3.50

Random Access time: 0.01ms



# DATASHEET

*Solid State Drive*

## 6. Power consumption

Input voltage: DC 3.3V ( $\pm 5\%$ )

Model test: K765-256GB

Test Project		Power Consumption	Unit
Idle		0.67	W
4K	Sequential Read	1.58	W
	Sequential Write	1.61	W
	Random Read	1.63	W
	Random Write	1.69	W
512K	Sequential Read	1.43	W
	Sequential Write	1.38	W
	Random Read	1.49	W
	Random Write	1.65	W